

403J-17T

Industrial Engine

EU Stage V, EPA Tier 4 Final

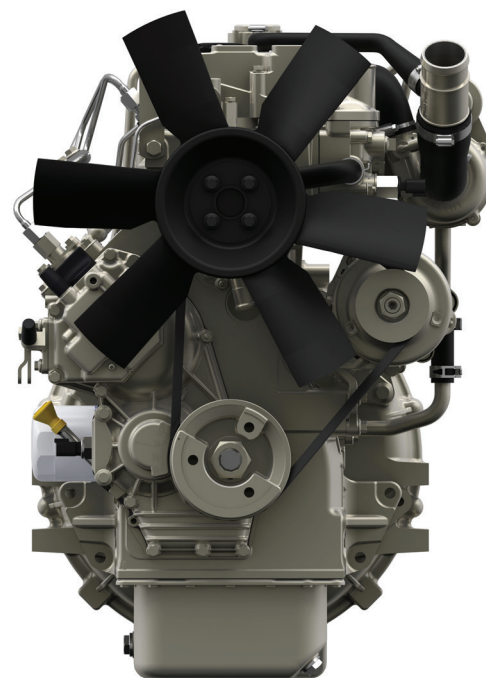
18.9kW/25.3hp

Perkins is an off-highway engine specialist with more than 85 years' experience of designing, building and servicing industrial power solutions. We work in close partnership with over 800 OEMs including some of world's best known machine brands.

With an extensive global presence and a commitment to collaboration, we are able to customise our aftermarket services to the needs of our OEM customers.

The Perkins® 403J-17T offers:

- High power and torque from a compact package, ideal for downsizing and easy installation.
- With simple and long proven technology, the 403-17 engine offers customers an uncomplicated solution with durability built in from the core. Each component tested to withstand the diverse working environments of our customers and their applications.
- Delivering an impressive 102.7Nm of torque, this engine may be small but it is certainly powerful.
- Add to this the developments and progress made on fluid consumption and you have an all round solution which reaches the highest emissions standards available, from a company with over 85 years of engineering expertise.



Cylinders	3
Displacement litres	1.7
Aspiration	Turbocharged
Bore and Stroke mm (in)	84 x 100 (3.3 x 3.9)
Maximum Power kW (hp)	18.9 (25.3)
Rated Speed (rpm)	2800
Maximum Torque Nm (lb ft) @ rpm	102.7 (75.7) @ 1600
Combustion System	Mechanical IDI
Exhaust Aftertreatment	None
Dry Weight kg (lb)	162 (357)
Rotation (viewed from flywheel)	Anti-clockwise

Photographs are for illustrative purposes only and may not reflect final specification.
All information in this document is substantially correct at time of printing and may be altered subsequently.
Final weight and dimensions will depend on completed specification.
Information subject to selected configuration, and subject to change without notice.
Performance measured per ISO 14396.

Publication No. PN3207/10/18 Produced in England ©2018 Perkins Engines Company Limited

 **Perkins®**

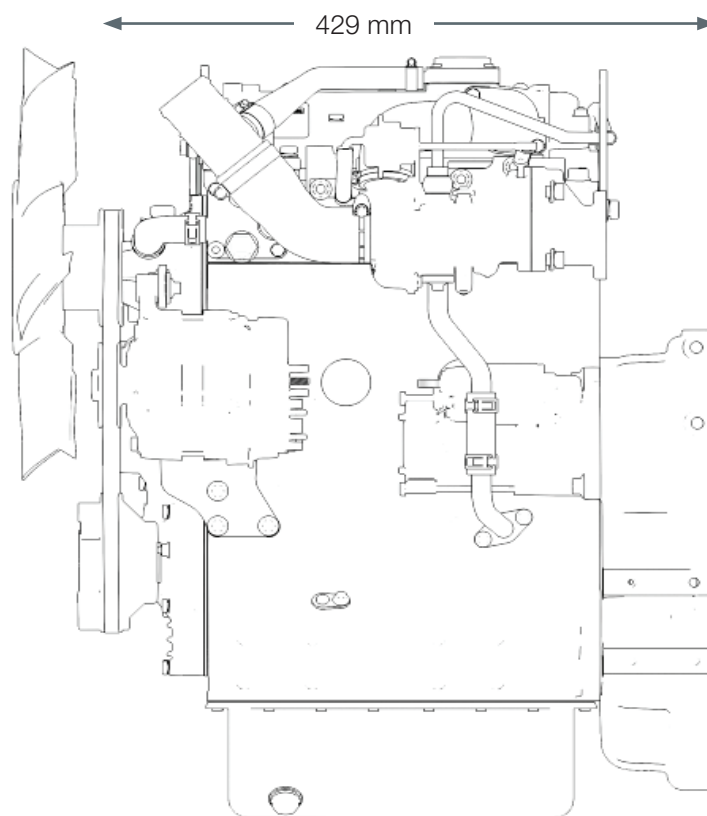
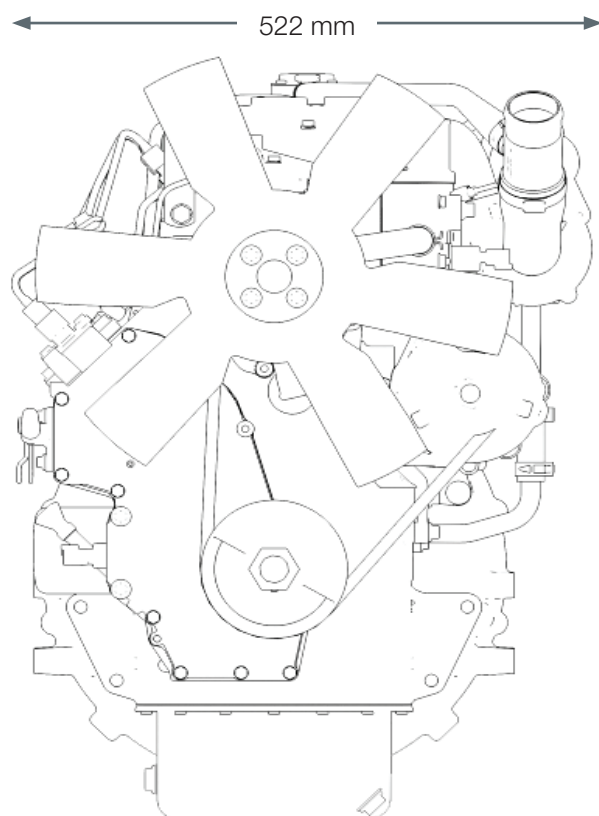
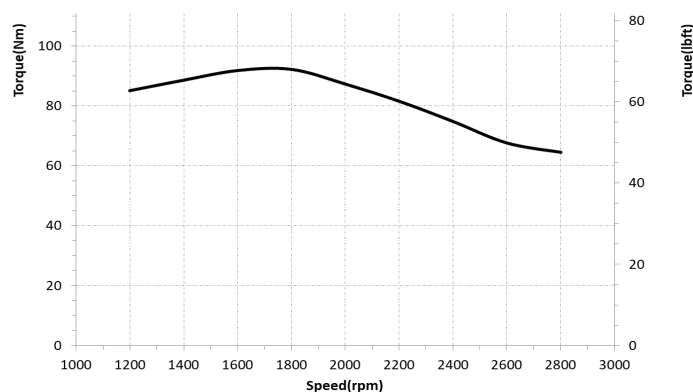
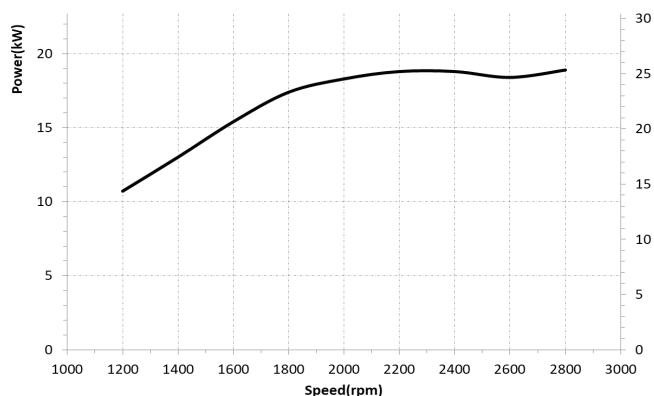
THE HEART OF EVERY GREAT MACHINE

403J-17T

Industrial Engine

EU Stage V, EPA Tier 4 Final

18.9kW/25.3hp



Photographs are for illustrative purposes only and may not reflect final specification.
All information in this document is substantially correct at time of printing and may be altered subsequently.
Final weight and dimensions will depend on completed specification.
Information subject to selected configuration, and subject to change without notice.
Performance measured per ISO 14396.

Publication No. PN3207/10/18 Produced in England ©2018 Perkins Engines Company Limited

 **Perkins®**

THE HEART OF EVERY GREAT MACHINE