

## 2406J-E13TA

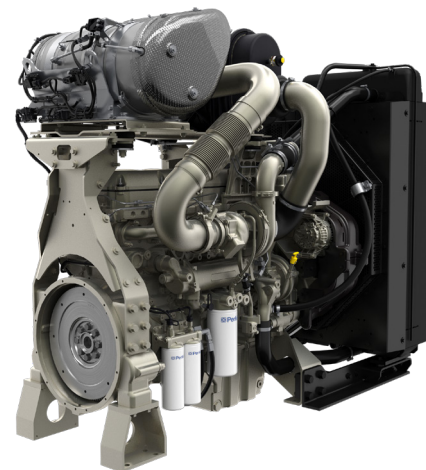
EU Stage V/U.S. EPA Tier 4 Final/  
Japan 2014/Korea Stage V

## 2406EA-E13TA

China Nonroad Stage IV  
340-430 kW (456-577 hp)

*The Perkins® 2406J-E13TA IOPU provides a complete plug-and-play power solution to meet EU Stage V, U.S. EPA Tier 4 Final, and other equivalent emissions standards. The 2406EA-E13TA IOPU meets China Nonroad Stage IV emissions standards.*

*The IOPU configurations come equipped with compact technology engine-mounted aftertreatment design, an integrated cooling pack, and full wire harnessing coupled to a single engine-mounted ECM.*



### Features and benefits

#### Low cost installation

Beyond basic industrial configurability, the IOPU provides customers with a pre-mounted over-head aftertreatment system, an engine-mounted air intake cleaner, and a full cooling pack which includes the radiator, a fan, and lines (both air and coolant). The IOPU variations provide customers with the ability to drop in a complete configuration, streamlining final assembly, and minimising installation costs.

#### Dependable power

Advanced manufacturing capabilities and processes deliver dependable power, coupled with proven core engine designs that assure reliability, quiet operation, and many hours of productive life.

#### Think global, act local

The Perkins distributor network offers dedicated experience and knowledge of Perkins diesel engines and provides direct customer focus, protecting your assets through extended service contract options.

Specification	
Cylinders	6 vertical in-line
Displacement, litres (in <sup>3</sup> )	12.5 (762.8)
Aspiration	Turbocharged aftercooled
Bore and stroke, mm (in)	130 × 157 (5.1 × 6.2)
Maximum power, kW (hp)	430 (577)
Rated speed, rpm*	1800-2100
Maximum torque, Nm (lb ft) @ rpm	2634 (1943) @ 1400
Combustion system	Direct injection (MEUI)
Weight, kg (lb)	1785 (3935)
Rotation (viewed from flywheel)	Anti-clockwise

\*For China Nonroad (NR) Stage IV engines, a customer configurable rated speed is no longer offered due to regulation requirements. China NR Stage IV requires new and in-use machine conformity checks. Please contact your A&I engineer for further details.

For more information please contact a Perkins distributor: <http://distributorlocator.perkins.com>

All information in this document is substantially correct at time of printing and may be altered subsequently. Photographs are for illustrative purposes only and may not reflect final specification. Final weight and dimensions will depend on completed specification. Information subject to selected configuration, and subject to change without notice. Engine power measured per ISO 14396:2002. Ref: 100094-EN-01 (06/23) Produced in England ©2023 Perkins Engines Company Limited.

# 2406J-E13TA

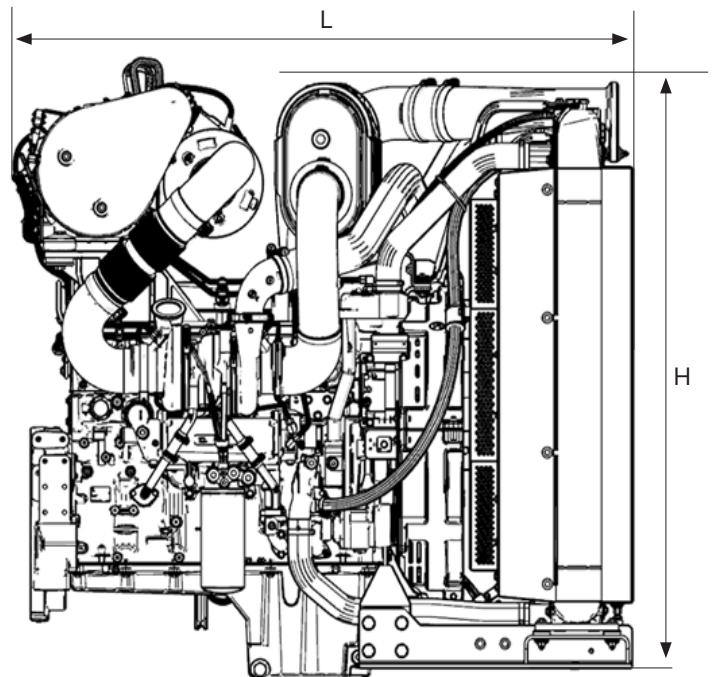
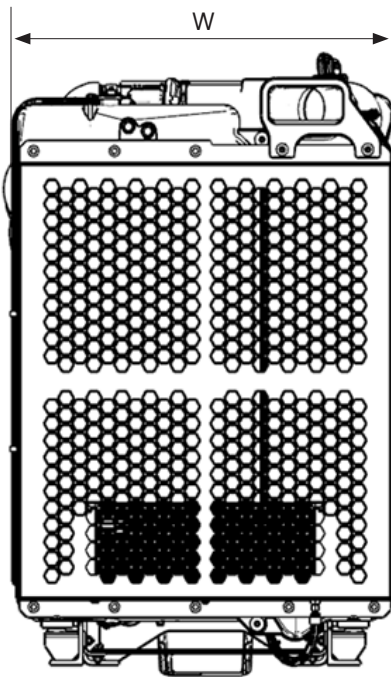
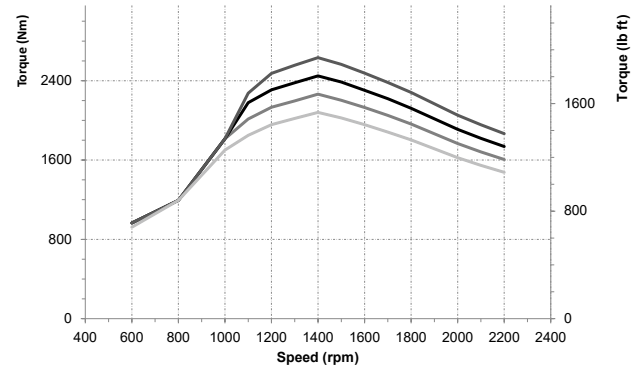
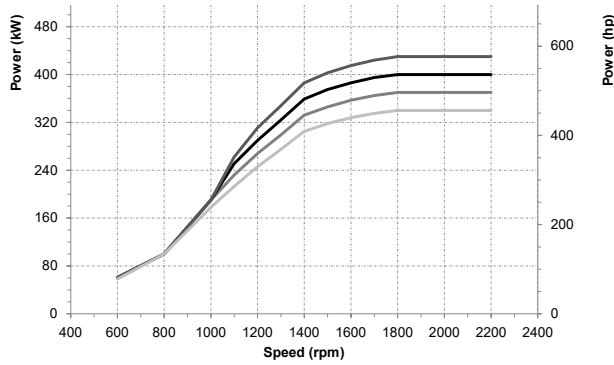
EU Stage V/U.S. EPA Tier 4 Final/  
Japan 2014/Korea Stage V

# 2406EA-E13TA

China Nonroad Stage IV

340-430 kW (456-577 hp)

## Industrial Open Power Unit (IOPU)



### Dimensions and weights (power unit)

Length, mm (in)	2002 (79)
Width, mm (in)	1160 (46)
Height, mm (in)	1801 (71)
Weight, kg (lb)	1785 (3935)

For more information please contact a Perkins distributor: <http://distributorlocator.perkins.com>

All information in this document is substantially correct at time of printing and may be altered subsequently. Photographs are for illustrative purposes only and may not reflect final specification. Final weight and dimensions will depend on completed specification. Information subject to selected configuration, and subject to change without notice. Engine power measured per ISO 14396:2002. Ref: 100094-EN-01 (06/23) Produced in England ©2023 Perkins Engines Company Limited.