

# 400 Series 403J-11 Industrial

14.7-18.9 kW (19.7-25.3 hp) @ 2800 rpm

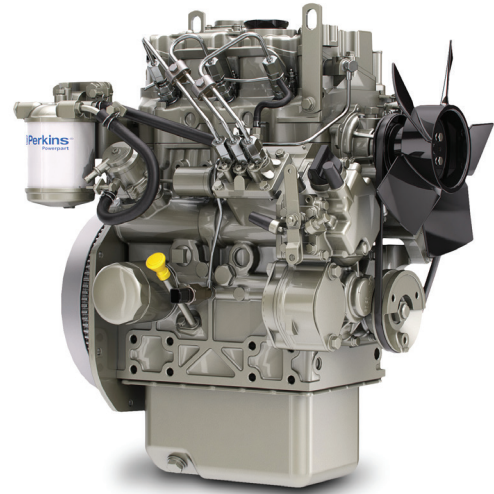
The Perkins® 400J range has been developed in consultation with our marketplace. This 1.1 litre, 3 cylinder engine complements the exciting 400 Series product line-up, offering customers a choice of ultra-compact, lightweight engines whilst maintaining all the customer benefits they can experience from other products in the range.

The 400 Series engine family continues to set new standards in the compact engine market. Developed alongside customers to fulfil their needs in the construction, materials handling, agricultural/turf, genset and compressor markets, it is another class leading diesel range from Perkins.

Built to the most demanding standards, the 400J engines meet all the requirements of the off-highway emissions legislation for EU Stage V and U.S. EPA Tier 4 Final.

Long 500 hour service intervals, a two-year standard warranty, low noise and harshness, and a wide range of options make the 400 Series range the complete solution for compact power needs.

The 403J-11 is a very quiet 1.13 litre unit delivering impressive performance with low operating costs in a small, efficient package ideal for a range of off-highway applications.



## Emissions statement

EU Stage V / U.S. EPA Tier 4 Final.

Specification		
Number of cylinders	3 in-line	
Bore and stroke	77 x 81 mm	3.0 x 3.2 in
Displacement	1.13 litres	69.0 in <sup>3</sup>
Aspiration	Naturally aspirated	
Cycle	4 stroke	
Combustion system	Indirect injection	
Compression ratio	23:1	
Rotation	Anti-clockwise, viewed on flywheel	
Total lubricating capacity	4.9 litres	1.3 US gal
Cooling system	Liquid	
Total coolant capacity	1.9 litres	0.5 US gal

[www.perkins.com](http://www.perkins.com)

Photographs are for illustrative purposes only and may not reflect final specification.  
All information in this document is substantially correct at time of printing and may be altered subsequently.  
Final weight and dimensions will depend on completed specification.

Publication No. PN3168/10/17 Produced in England ©2017 Perkins Engines Company Limited

 **Perkins®**

THE HEART OF EVERY GREAT MACHINE

# 400 Series 403J-11 Industrial

14.7-18.9 kW (19.7-25.3 hp) @ 2800 rpm

## Features and benefits

### Ultra-compact power

- Up to 18.9 kW from a compact footprint
- Easy installation

### Clean and quiet

- Noise levels have been kept to a minimum
- Subjective harshness has been carefully controlled making the engine sound even quieter

### Durable and reliable

- Product design and process improvements enhance both engine reliability and durability
- Product proven in field through millions of hours of running
- A standard two-year warranty demonstrates our confidence in durability and reliability

### Low operating costs

- Approved for operation on biodiesel\* concentrations of up to 20%
- Oil and filter changes are 500 hours, dependent on load factor
- Engine durability and reliability, the warranty offering and ease of installation combine to drive down the cost of ownership
- **Warranties and Service Contracts**

We provide one-year warranties for constant speed engines and two-year warranties for variable speed models, as standard. We have a range of added value services, including a choice of flexible and transferable options such as Perkins® Platinum Protection which can extend the engine factory warranty by up to 10 years\*, giving you peace of mind

### Product support

- With highly trained Perkins distributors in thousands of communities in over 180 countries, you are never far away from expert product knowledge, genuine parts and a range of advanced diagnostic technology for keeping your engine in peak condition
- To find your local distributor: [www.perkins.com/distributor](http://www.perkins.com/distributor)

\*Subject to conformance with ASTM D6751 and EN14214

[www.perkins.com](http://www.perkins.com)

Photographs are for illustrative purposes only and may not reflect final specification.  
All information in this document is substantially correct at time of printing and may be altered subsequently.  
Final weight and dimensions will depend on completed specification.

Publication No. PN3168/10/17 Produced in England ©2017 Perkins Engines Company Limited



THE HEART OF EVERY GREAT MACHINE

# 400 Series 403J-11 Industrial

14.7-18.9 kW (19.7-25.3 hp) @ 2800 rpm

## Technical information

- Cast iron engine block
- Flywheel and flywheel housing
- Fuel injection pump
- Split element fuel filter
- Glow plug starting aid
- Lub oil sump
- Spin on lub oil filter
- Inlet manifold
- Cast iron exhaust manifold – side outlet
- Coolant pump belt driven
- Alternator 12 volt 15 amp
- ESOS (Electric shut-off solenoid)
- Lub oil pressure switch
- Coolant temperature switch
- SAE A-A PTO
- Choice of cooling fans
- Starter motor 12 volt
- Cold start -20°C (aided)

## Option groups

A selection of optional items is available to enable you to prepare a specification precisely matched to your needs.

---

[www.perkins.com](http://www.perkins.com)

Photographs are for illustrative purposes only and may not reflect final specification.  
All information in this document is substantially correct at time of printing and may be altered subsequently.  
Final weight and dimensions will depend on completed specification.

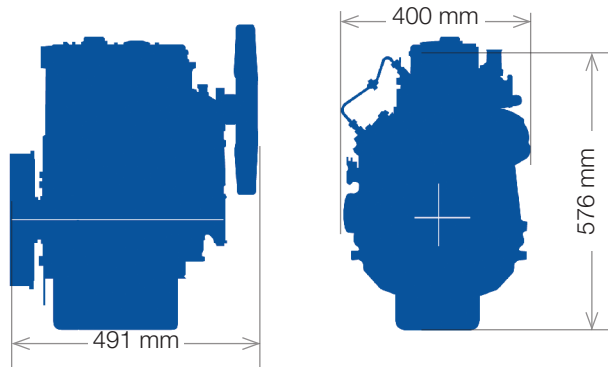
Publication No. PN3168/10/17 Produced in England ©2017 Perkins Engines Company Limited



THE HEART OF EVERY GREAT MACHINE

# 400 Series 403J-11 Industrial

14.7-18.9 kW (19.7-25.3 hp) @ 2800 rpm



Engine package weights and dimensions		
Length	491 mm	19.3 in
Width	400 mm	15.7 in
Height	576 mm	22.6 in
Weight (dry)	87 kg	191 lb

[www.perkins.com](http://www.perkins.com)

Photographs are for illustrative purposes only and may not reflect final specification.  
All information in this document is substantially correct at time of printing and may be altered subsequently.  
Final weight and dimensions will depend on completed specification.

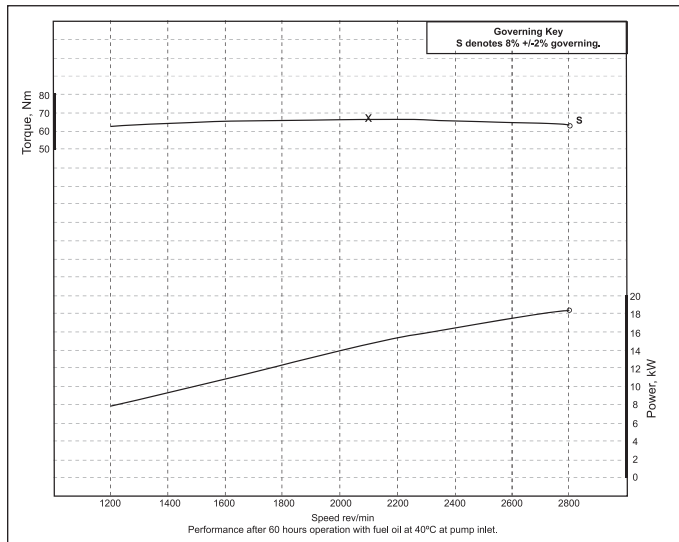
Publication No. PN3168/10/17 Produced in England ©2017 Perkins Engines Company Limited

 **Perkins**<sup>®</sup>

THE HEART OF EVERY GREAT MACHINE

# 400 Series 403J-11 Industrial

14.7-18.9 kW (19.7-25.3 hp) @ 2800 rpm



Lower speed ratings cannot be read from this curve

Power (kW)	Power (hp)	Rated Speed (rpm)	Torque (Nm)	Torque (lb-ft)	Speed rpm	Emissions
14.7	19.7	2200	66.8	49	1900	Stage V and Tier 4 Final
16.1	21.5	2400	66.8	49	2100	Stage V and Tier 4 Final
18.4	24.7	2800	66.8	49	1900	Stage V and Tier 4 Final
18.9	25.3	2800				Stage V

[www.perkins.com](http://www.perkins.com)

Photographs are for illustrative purposes only and may not reflect final specification.  
 All information in this document is substantially correct at time of printing and may be altered subsequently.  
 Final weight and dimensions will depend on completed specification.

Publication No. PN3168/10/17 Produced in England ©2017 Perkins Engines Company Limited



THE HEART OF EVERY GREAT MACHINE